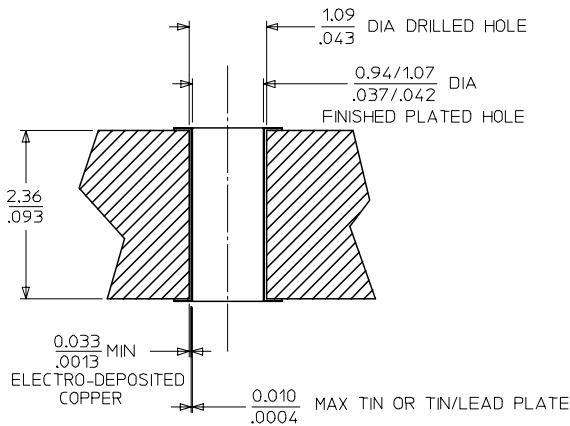


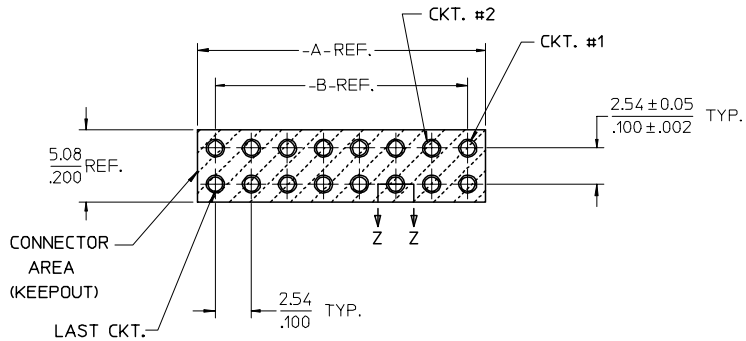
- NOTES:
- MATERIAL:
INSULATOR: 30 % GLASS FILLED LCP, UL94V-0, COLOR: BLACK,
TERMINAL: COPPER ALLOY.
 - FINISH:
INSULATOR: NONE,
TERMINAL: PLATING (SEE CHART):
A- SELECT GOLD (0.76 MICROMETERS)/30 MICROINCHES MINIMUM,
SELECT TIN/LEAD (2.54 MICROMETERS)/100 MICROINCHES MINIMUM,
OVER NICKEL.*
B- SELECT GOLD (0.38 MICROMETERS)/15 MICROINCHES MINIMUM,
SELECT TIN/LEAD (2.54 MICROMETERS)/100 MICROINCHES MINIMUM,
OVER NICKEL.*
C- TIN (5.08 MICROMETERS)/200 MICROINCHES MINIMUM OVER NICKEL.
 - PRODUCT SPECIFICATION: PS-75100-001.
 - PACKAGING SPECIFICATION: PK-70873-0353.
 - RECOMMENDED PCB THICKNESS: (2.36)/.093 MINIMUM
 - THIS PART CONFORMS TO CLASS B REQUIREMENTS OF
COSMETIC SPEC PS-45499-002.

NOTE FOR LEAD FREE CONVERSION:

THE PRIMARY SHIPPING CARTON WILL BE
LABELED *COMPLIANT TO ROHS DIRECTIVE
2002/95/EC AND ELV ANNEX II OF
DIRECTIVE 2000/53/EC*. CARTONS WITHOUT
THIS LABEL MAY CONTAIN PRODUCT WITH
LEAD.



SECTION Z-Z
SCALE: 20/1



RECOMMENDED PCB LAYOUT
(COMPONENT SIDE)

CIRCUIT SIZE	DIM -A-	DIM -B-
	4	4.83/1.190
6	7.37/2.90	5.08/2.00
8	9.91/3.90	7.62/3.00
10	12.45/4.90	10.16/4.00
12	14.99/5.90	12.70/5.00
14	17.53/6.90	15.24/6.00
16	20.07/7.90	17.78/7.00
18	22.61/8.90	20.32/8.00
20	25.15/9.90	22.86/9.00
22	27.69/10.90	25.40/10.00
24	30.23/11.90	27.94/11.00
26	32.77/12.90	30.48/12.00
28	35.31/13.90	33.02/13.00
30	37.85/14.90	35.56/14.00
32	40.39/15.90	38.10/15.00
34	42.93/16.90	40.64/16.00
36	45.47/17.90	43.18/17.00
38	48.01/18.90	45.72/18.00
40	50.55/19.90	48.26/19.00
42	53.09/20.90	50.80/20.00
44	55.63/21.90	53.34/21.00
46	58.17/22.90	55.88/22.00
48	60.71/23.90	58.42/23.00
50	63.25/24.90	60.96/24.00
52	65.79/25.90	63.50/25.00
54	68.33/26.90	66.04/26.00
56	70.87/27.90	68.58/27.00
58	73.41/28.90	71.12/28.00
60	75.95/29.90	73.66/29.00
62	78.49/30.90	76.20/30.00
64	81.03/31.90	78.74/31.00
66	83.57/32.90	81.28/32.00
68	86.11/33.90	83.82/33.00
70	88.65/34.90	86.36/34.00
72	91.19/35.90	88.90/35.00
74	93.73/36.90	91.44/36.00
76	96.27/37.90	93.98/37.00
78	98.81/38.90	96.52/38.00
80	101.35/39.90	99.06/39.00

GENERAL DOCS 2-3	ANNOTATOR 1	SOFTWARE SHEET	REV	ADD SECTION Z-Z EC NO: UCP2007-1133 DRAWING: SBARR006/12/05 CHK: SMILLER 2006/12/14 APPR: BVEAZIE 2006/12/14	QUALITY SYMBOLS ▽=0 ◊=0	GENERAL TOLERANCES (UNLESS SPECIFIED)		SCALE 4:1	DESIGN UNITS INCH	THIRD ANGLE PROJECTION	REVISE ON CAD ONLY	
						mm	INCH	DIMENSION STYLE MM/IN			.100 DUAL ROW HEADER WITH CPI TERMINALS	
4 PLACES ± --- ± ---						DRAWN BY DATE		MARGULIS 002/03/11		MOLEX INCORPORATED		
3 PLACES ± --- ± .010						CHECKED BY DATE		MARGULIS 002/03/11				
2 PLACES ± 0.25 ± ---						APPROVED BY DATE		FRY 2002/03/11		MATERIAL NO. SEE CHART ON SHEET 2	DOCUMENT NO. SD-75102-001	SHEET NO. 1 OF 3
1 PLACE ± --- ± ---						ANGULAR ± 1/2 °		DRAFT WHERE APPLICABLE MUST REMAIN WITHIN DIMENSIONS		THIS DRAWING CONTAINS INFORMATION THAT IS PROPRIETARY TO MOLEX INCORPORATED AND SHOULD NOT BE USED WITHOUT WRITTEN PERMISSION		

CGRID 100 HEADER DUAL ROW .COMPLIANT PIN

DIM M:	6.10/.240
DIM P:	4.75/.187
PLATING:	"A" – 30 GOLD
GOLD AREA DIM D:	5.08/.200
TIN AREA:	4.75/.187
VOID CKT:	NONE
PACKAGING:	PK-70873-0353

DIM M:	6.10/.240
DIM P:	4.75/.187
PLATING:	"B" – 15 GOLD
GOLD AREA DIM D:	5.08/.200
TIN AREA:	4.75/.187
VOID CKT:	NONE
PACKAGING:	PK-70873-0353

DIM M:	6.10/.240
DIM P:	4.75/.187
PLATING:	"C" - TIN
GOLD AREA DIM D:	N/A
TIN AREA:	OVERALL
VOID CKT:	NONE
PACKAGING:	PK-70873-0353

CKT	MATERIAL NO.	CKT	MATERIAL NO.
--	--	42	75102-0020
04	75102-0001	44	75102-0021
06	75102-0002	46	75102-0022
08	75102-0003	48	75102-0023
10	75102-0004	50	75102-0024
12	75102-0005	52	75102-0025
14	75102-0006	54	75102-0026
16	75102-0007	56	75102-0027
18	75102-0008	58	75102-0028
20	75102-0009	60	75102-0029
22	75102-0010	62	75102-0030
24	75102-0011	64	75102-0031
26	75102-0012	66	75102-0032
28	75102-0013	68	75102-0033
30	75102-0014	70	75102-0034
32	75102-0015	72	75102-0035
34	75102-0016	74	75102-0036
36	75102-0017	76	75102-0037
38	75102-0018	78	75102-0038
40	75102-0019	80	75102-0039

CKT	MATERIAL NO.	CKT	MATERIAL NO.
--	--	42	75102-0059
04	75102-0040	44	75102-0060
06	75102-0041	46	75102-0061
08	75102-0042	48	75102-0062
10	75102-0043	50	75102-0063
12	75102-0044	52	75102-0064
14	75102-0045	54	75102-0065
16	75102-0046	56	75102-0066
18	75102-0047	58	75102-0067
20	75102-0048	60	75102-0068
22	75102-0049	62	75102-0069
24	75102-0050	64	75102-0070
26	75102-0051	66	75102-0071
28	75102-0052	68	75102-0072
30	75102-0053	70	75102-0073
32	75102-0054	72	75102-0074
34	75102-0055	74	75102-0075
36	75102-0056	76	75102-0076
38	75102-0057	78	75102-0077
40	75102-0058	80	75102-0078

CKT	MATERIAL NO.	CKT	MATERIAL NO.
--	--	42	75102-0098
04	75102-0079	44	75102-0099
06	75102-0080	46	75102-0100
08	75102-0081	48	75102-0101
10	75102-0082	50	75102-0102
12	75102-0083	52	75102-0103
14	75102-0084	54	75102-0104
16	75102-0085	56	75102-0105
18	75102-0086	58	75102-0106
20	75102-0087	60	75102-0107
22	75102-0088	62	75102-0108
24	75102-0089	64	75102-0109
26	75102-0090	66	75102-0110
28	75102-0091	68	75102-0111
30	75102-0092	70	75102-0112
32	75102-0093	72	75102-0113
34	75102-0094	74	75102-0114
36	75102-0095	76	75102-0115
38	75102-0096	78	75102-0116
40	75102-0097	80	75102-0117

NOTE: SHEET 1 IS AN ANNOTATOR DOCUMENT

REV: E	SEE SHT 1	TITLE: .100 DUAL ROW HEADER WITH CPI TERMINALS	SHEET No. 2
DOCUMENT NUMBER: SD- 75102-001	CREATED / REVISED BY: SAMIEC	CHECKED BY: MARGULIS	APPROVED BY: MARGULIS

**CGRID 100 HEADER DUAL ROW
.COMPLIANT PIN**

DIM M:	6.10/.240
DIM P:	4.75/.187
PLATING:	"A" – 30 GOLD
GOLD AREA DIM D:	5.08/.200
TIN AREA:	4.75/.187
VOID CKT:	37
PACKAGING:	PK-70873-0353

DIM M:	6.10/.240
DIM P:	4.75/.187
PLATING:	"A" – 30 GOLD
GOLD AREA DIM D:	5.08/.200
TIN AREA:	4.75/.187
VOID CKT:	28
PACKAGING:	PK-70873-0353

DIM M:	6.10/.240
DIM P:	4.75/.187
PLATING:	"A" – 30 GOLD
GOLD AREA DIM D:	5.08/.200
TIN AREA:	4.75/.187
VOID CKT:	10
PACKAGING:	PK-70873-0353

CKT	MATERIAL NO.	CKT	MATERIAL NO.
--	--	42	75102-0121
04	--	44	75102-0122
06	--	46	75102-0123
08	--	48	75102-0124
10	--	50	75102-0125
12	--	52	75102-0126
14	--	54	75102-0127
16	--	56	75102-0128
18	--	58	75102-0129
20	--	60	75102-0130
22	--	62	75102-0131
24	--	64	75102-0132
26	--	66	75102-0133
28	--	68	75102-0134
30	--	70	75102-0135
32	--	72	75102-0136
34	--	74	75102-0137
36	--	76	75102-0138
38	75102-0118	78	75102-0139
40	75102-0120	80	75102-0140

CKT	MATERIAL NO.	CKT	MATERIAL NO.
--	--	42	75102-0147
04	--	44	75102-0148
06	--	46	75102-0149
08	--	48	75102-0150
10	--	50	75102-0151
12	--	52	75102-0152
14	--	54	75102-0153
16	--	56	75102-0154
18	--	58	75102-0155
20	--	60	75102-0156
22	--	62	75102-0157
24	--	64	75102-0158
26	--	66	75102-0159
28	75102-0141	68	75102-0160
30	75102-0142	70	75102-0161
32	75102-0143	72	75102-0162
34	75102-0144	74	75102-0163
36	75102-0145	76	75102-0164
38	75102-0119	78	75102-0165
40	75102--0146	80	75102-0166

CKT	MATERIAL NO.	CKT	MATERIAL NO.
--	--	42	75102-0183
04	--	44	75102-0184
06	--	46	75102-0185
08	--	48	75102-0186
10	75102-0167	50	75102-0187
12	75102-0168	52	75102-0188
14	75102-0169	54	75102-0189
16	75102-0170	56	75102-0190
18	75102-0171	58	75102-0191
20	75102-0172	60	75102-0192
22	75102-0173	62	75102-0193
24	75102-0174	64	75102-0194
26	75102-0175	66	75102-0195
28	75102-0176	68	75102-0196
30	75102-0177	70	75102-0197
32	75102-0178	72	75102-0198
34	75102-0179	74	75102-0199
36	75102-0180	76	75102-0200
38	75102-0181	78	75102-0201
40	75102-0182	80	75102-0202

REV: E	SEE SHT 1	TITLE: .100 DUAL ROW HEADER WITH CPI TERMINALS	SHEET No. 3
DOCUMENT NUMBER: SD- 75102-001	CREATED / REVISED BY: SAMIEC	CHECKED BY: MARGULIS	APPROVED BY: MARGULIS

**CGRID 100 HEADER DUAL ROW
.COMPLIANT PIN**

DIM M:	6.10/.240
DIM P:	4.75/.187
PLATING:	"A" – 50 GOLD
GOLD AREA DIM D:	5.08/.200
TIN AREA:	4.75/.187
VOID CKT:	NONE
PACKAGING:	PK-70873-0353

DIM M:	
DIM P:	
PLATING:	
GOLD AREA DIM D:	
TIN AREA:	
VOID CKT:	
PACKAGING:	

DIM M:	
DIM P:	
PLATING:	
GOLD AREA DIM D:	
TIN AREA:	
VOID CKT:	
PACKAGING:	

CKT	MATERIAL NO.	CKT	MATERIAL NO.
--	--	42	75102-0222
04	75102-0203	44	75102-0223
06	75102-0204	46	75102-0224
08	75102-0205	48	75102-0225
10	75102-0206	50	75102-0226
12	75102-0207	52	75102-0227
14	75102-0208	54	75102-0228
16	75102-0209	56	75102-0229
18	75102-0210	58	75102-0230
20	75102-0211	60	75102-0231
22	75102-0212	62	75102-0232
24	75102-0213	64	75102-0233
26	75102-0214	66	75102-0234
28	75102-0215	68	75102-0235
30	75102-0216	70	75102-0236
32	75102-0217	72	75102-0237
34	75102-0218	74	75102-0238
36	75102-0219	76	75102-0239
38	75102-0220	78	75102-0240
40	75102-0221	80	75102-0241

CKT	MATERIAL NO.	CKT	MATERIAL NO.
--	--	42	
04		44	
06		46	
08		48	
10		50	
12		52	
14		54	
16		56	
18		58	
20		60	
22		62	
24		64	
26		66	
28		68	
30		70	
32		72	
34		74	
36		76	
38		78	
40		80	

CKT	MATERIAL NO.	CKT	MATERIAL NO.
--	--	42	
04		44	
06		46	
08		48	
10		50	
12		52	
14		54	
16		56	
18		58	
20		60	
22		62	
24		64	
26		66	
28		68	
30		70	
32		72	
34		74	
36		76	
38		78	
40		80	

NOTE: SHEET 1 IS AN ANNOTATOR DOCUMENT

REV: E	SEE SHT 1	TITLE: .100 DUAL ROW HEADER WITH CPI TERMINALS	SHEET No. 4
DOCUMENT NUMBER: SD- 75102-001	CREATED / REVISED BY: SAMIEC	CHECKED BY: MARGULIS	APPROVED BY: MARGULIS